



INSTALLATION INSTRUCTIONS

Remove the cover from the tractor or power unit. See the Section Instruction Section of the Power Operator's Manual.
Turn the cover upside down so the label is on the cover with a hole in the top.
Place the blades in position. The weather strips and back washers are on the blades.
Install the new cover and set blades on the mower and level with the 1/2" wrench.
Washers and nuts. Tighten the nuts to a torque of 150 ft. lbs. (200 Nm).
Reinstall the cover on the tractor or power unit.

SAND BLADE KIT



ITEM NO.	PART NO.	DESCRIPTION	QTY.
1	53068	Blade	1
2	53069	Washer	1
3	53070	Nut	1
4	53071	Washer	1

FORM NO. 53067(7-92)

PART NO. 53068, 53069, 53070, 53071

PRINTED IN USA \$1.00

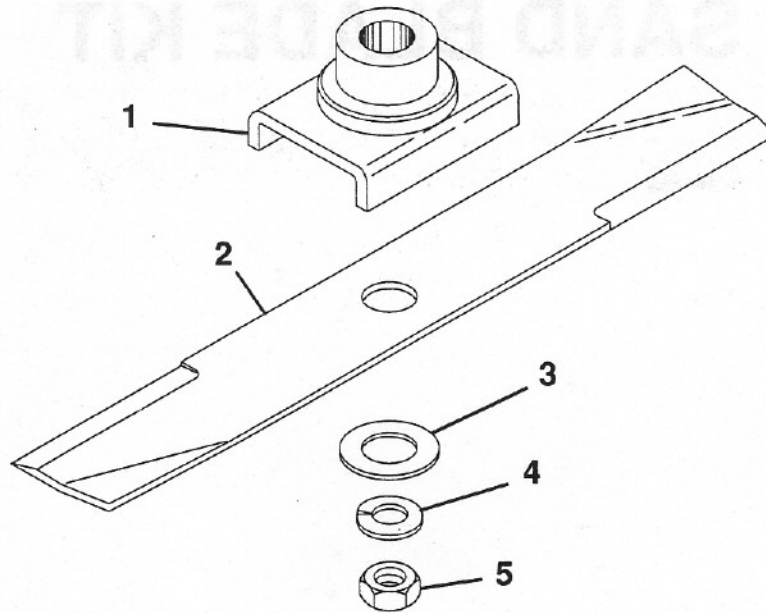
SECTION 1

INSTALLATION INSTRUCTIONS

1. Remove the mower from the tractor or power unit. See the Service Instruction Section of the mower Operator's Manual.
2. Turn the mower upside down or lift the front of the mower with a hoist or floor jack.
3. Block the blades and remove the nuts, flat washers, blades and blade cradle weldments from the spindles.
4. Install the new blade cradles and blades on the mower and retain with the flat washers, lock washers and hex nuts. Tighten the nuts to a torque of 120 ft.lbs. (163 N.m). Reinstall the mower on the tractor or power unit.

SECTION 2

ILLUSTRATED PARTS AND PARTS LIST



ITEM NO.	PART NO.	QTY.	DESCRIPTION	ITEM NO.	PART NO.	QTY.	DESCRIPTION
1	47684	3	Weldment, Blade Cradle	3	131016	3	Washer, Flat .656x1.312x.095
2	52892	3	Blade, 40" Sand	4	121574	3	Washer, Lock 5/8 SP
	53064	3	Blade, 50" Sand	5	124589	3	Nut, Hex 5/8-11
	52893	3	Blade, 60" Sand				
	52894	3	Blade, 72" Sand				